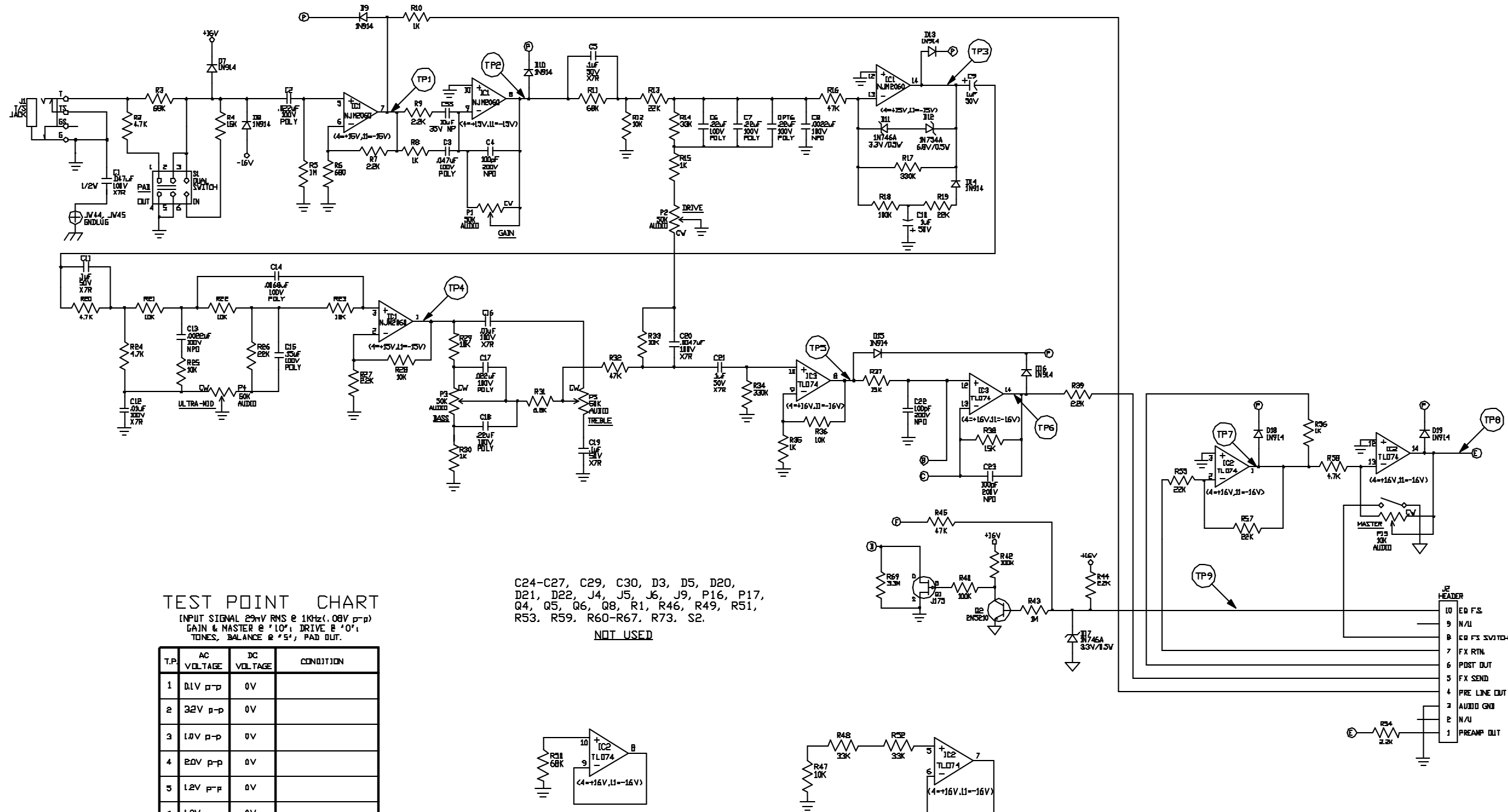


**NOTES**

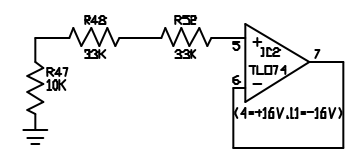
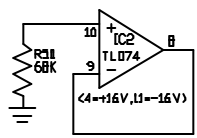
- 1) CAUTION: SHOCK HAZARD!  
THIS UNIT CONTAINS HAZARDOUS VOLTAGE. DISCONNECT POWER AND BE SURE POWER SUPPLY IS DISCHARGED BEFORE TOUCHING INTERNAL PARTS.
- 2) UNLESS NOTED, RESISTOR VALUES IN OHMS, 1/4W-5% TOL. CAPACITOR VALUES IN MICROFARADS, 50V-10% TOL.
- 3) VOLTAGES ARE MEASURED WITH 1 MEGOHM OSCILLOSCOPE AND 10 MEGOHM DIGITAL VOLTMETER.
- 4) CHASSIS GROUND  $\nabla$  LED GROUND  $\nabla$  AUDIO GROUND  $\nabla$



**TEST POINT CHART**  
INPUT SIGNAL 20mV RMS @ 1KHz (1.00V p-p)  
GAIN & MASTER @ '10', DRIVE @ '0',  
TONES, BALANCE @ '5', PAD OUT.

T.P.	AC VOLTAGE	DC VOLTAGE	CONDITION
1	0.1V p-p	0V	
2	0.2V p-p	0V	
3	1.0V p-p	0V	
4	2.0V p-p	0V	
5	1.2V p-p	0V	
6	1.3V p-p	0V	
7	1.2V p-p	0V	
8	2.4V p-p	0V	
9	—	3.3V/0V	GRAPHIC EQ ON/OFF

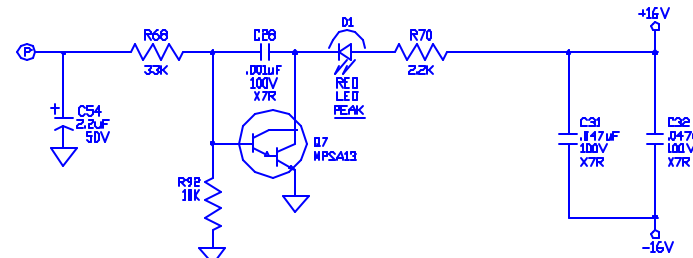
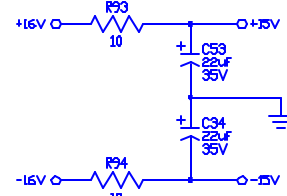
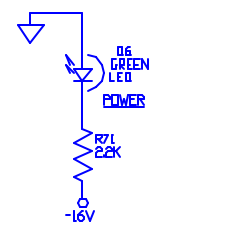
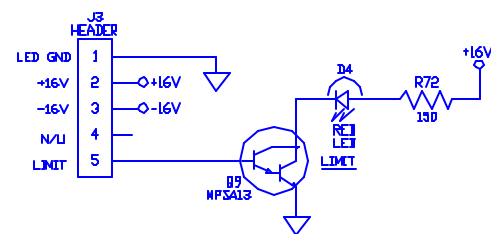
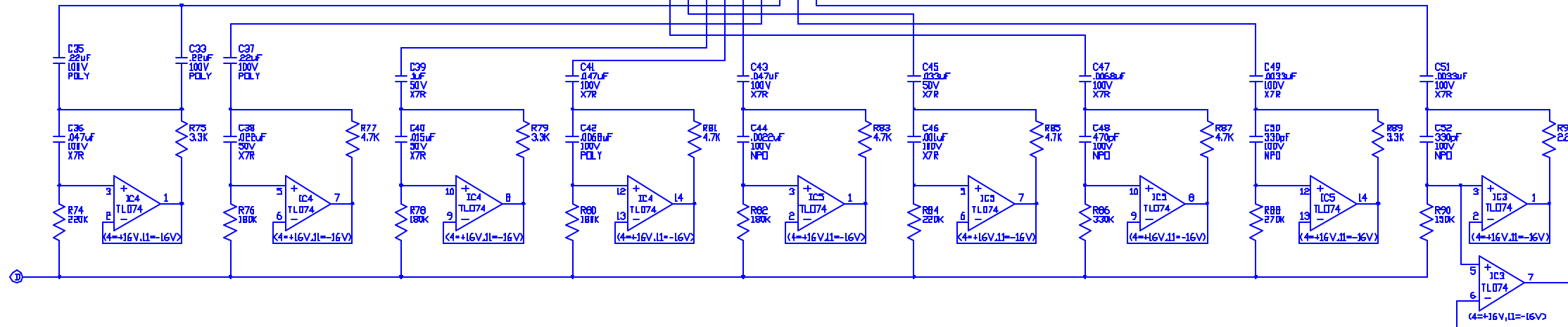
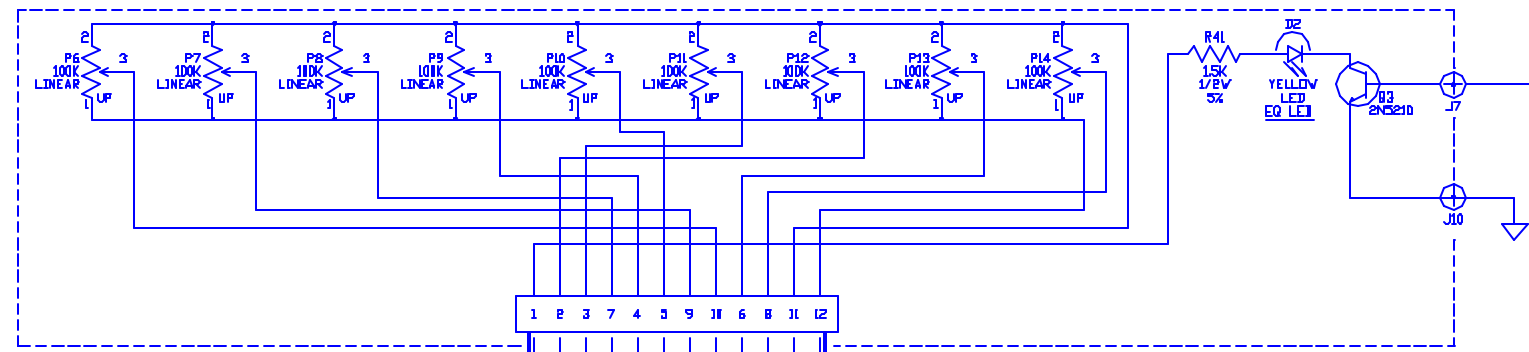
C24-C27, C29, C30, D3, D5, D20,  
D21, D22, J4, J5, J6, J9, P16, P17,  
Q4, Q5, Q6, Q8, R1, R46, R49, R51,  
R53, R59, R60-R67, R73, S2.  
**NOT USED**



<b>SIGNATURES:</b>		<b>DATE:</b>	11880 BORMAN DR. ST. LOUIS, MISSOURI 63146	
DRAWN:	REM	07/16/98	PROJECT NAME:	
CHK'D:	GM	07/16/98	B3/B3-28	
APP'D:	GM	07/16/98	DRAWING NAME:	
ORIGINAL ISSUED:	07/16/98	PREAMP SCHEMATIC		
PLOT DATE:	11/19/98	DRAWING NO.	075538-02	REV 0_
PLOT TIME:	08:59:37	SCALE:	NTS	SHEET: 1 OF 2
FILE NAME:	53802h0_			

**NOTES**

- 1) CAUTION: SHOCK HAZARD!  
THIS UNIT CONTAINS HAZARDOUS VOLTAGE. DISCONNECT POWER AND BE SURE POWER SUPPLY IS DISCHARGED BEFORE TOUCHING INTERNAL PARTS.
- 2) UNLESS NOTED, RESISTOR VALUES IN OHMS, 1/4W-5% TOL. CAPACITOR VALUES IN MICROFARADS, 50V-10% TOL.
- 3) VOLTAGES ARE MEASURED WITH 1 MEGOHM OSCILLOSCOPE AND 10 MEGOHM DIGITAL VOLTMETER.
- 4) CHASSIS GROUND  $\text{---}$  LED GROUND  $\nabla$  AUDIO GROUND  $\text{---}$



SEE SHT 1 FOR REV HISTORY

SIGNATURES:	DATE:	11800 BORNAN DR. ST. LOUIS, MISSOURI 63146	
DRAWN: REM	7/16/88	PROJECT NAME: B3/B3-28	
CHK'D: GM	7/16/88	DRAWING NAME: PREAMP SCHEMATIC	
APP'D: GM	7/16/88	DRAWING NO. 075538-02 REV. D	
ORIGINAL ISSUED:	7/16/88	FILE NAME: 53802.D	SCALE: NONE SHEET: 2 OF 2
PLDT DATE:	11/18/88		
PLDT TIME:	08:28:37		