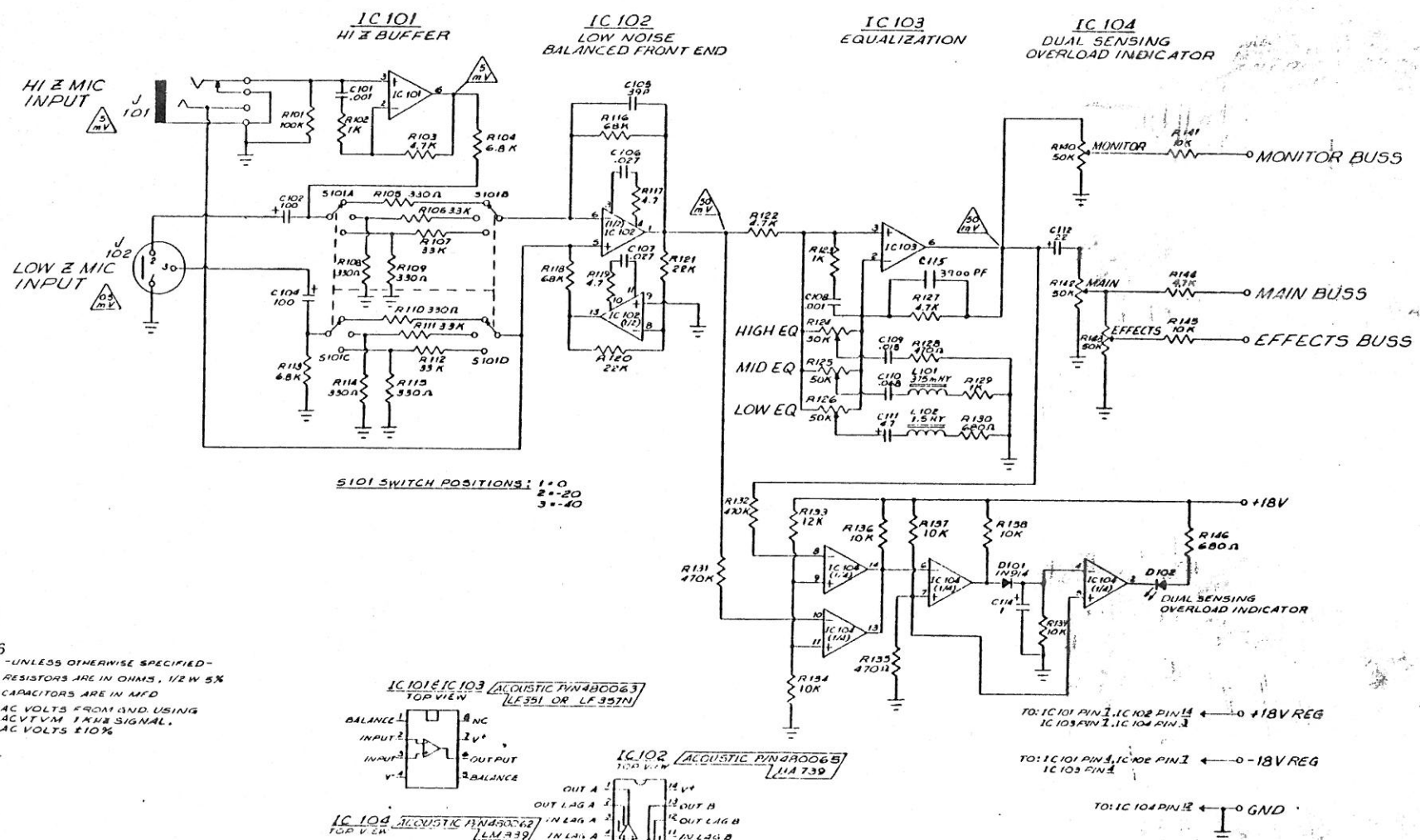
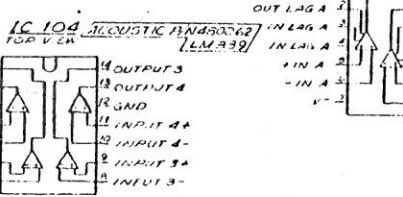
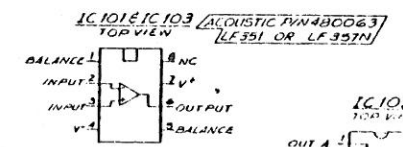


REV	DESCRIPTION	DATE	APPD
A	REVISED PER EGM 1737	5-3-79	
B	REVISED PER EGM 1740	7-6-79	

MODEL 911 CHANNEL 1-6



- NOTES**
 -UNLESS OTHERWISE SPECIFIED-
 1. ALL RESISTORS ARE IN OHMS, 1/2W 5%
 2. ALL CAPACITORS ARE IN MFD
 3. Δ AC VOLTS FROM GND, USING 4CVTVM 1KHZ SIGNAL. AC VOLTS $\pm 10\%$



REFERENCE DESIGNATION	LAST	NOT USED
C 116		C 103, 113
IC 104		
J 102		
D 102		
R 146		
S 101		

170085	PC BOARD	170085	DATE	BY
170087	SCHEMATIC	170087	DATE	BY
170087	PC BOARD	170087	DATE	BY
170087	SCHEMATIC	170087	DATE	BY

DRAWN		DATE	
CHECKED		DATE	
APPROVED		DATE	
PROPRIETARY INFORMATION			
ALL INFORMATION CONTAINED HEREIN IS UNCLASSIFIED EXCEPT WHERE SHOWN OTHERWISE AND IS NOT TO BE REPRODUCED OR TRANSMITTED IN ANY FORM OR BY ANY MEANS, ELECTRONIC OR MECHANICAL, INCLUDING PHOTOCOPYING, RECORDING, OR BY ANY INFORMATION STORAGE AND RETRIEVAL SYSTEM.			
acoustic control corp.			

acoustic control corp		van dyke, calif 91406	
TITLE			
SCHEMATIC			
911 - PREAMP			
STEP	DRAWING NO	PART NO	REV
D		1648	B
ROUNY SCALE THIS PRINT			

MODEL 911 MASTER

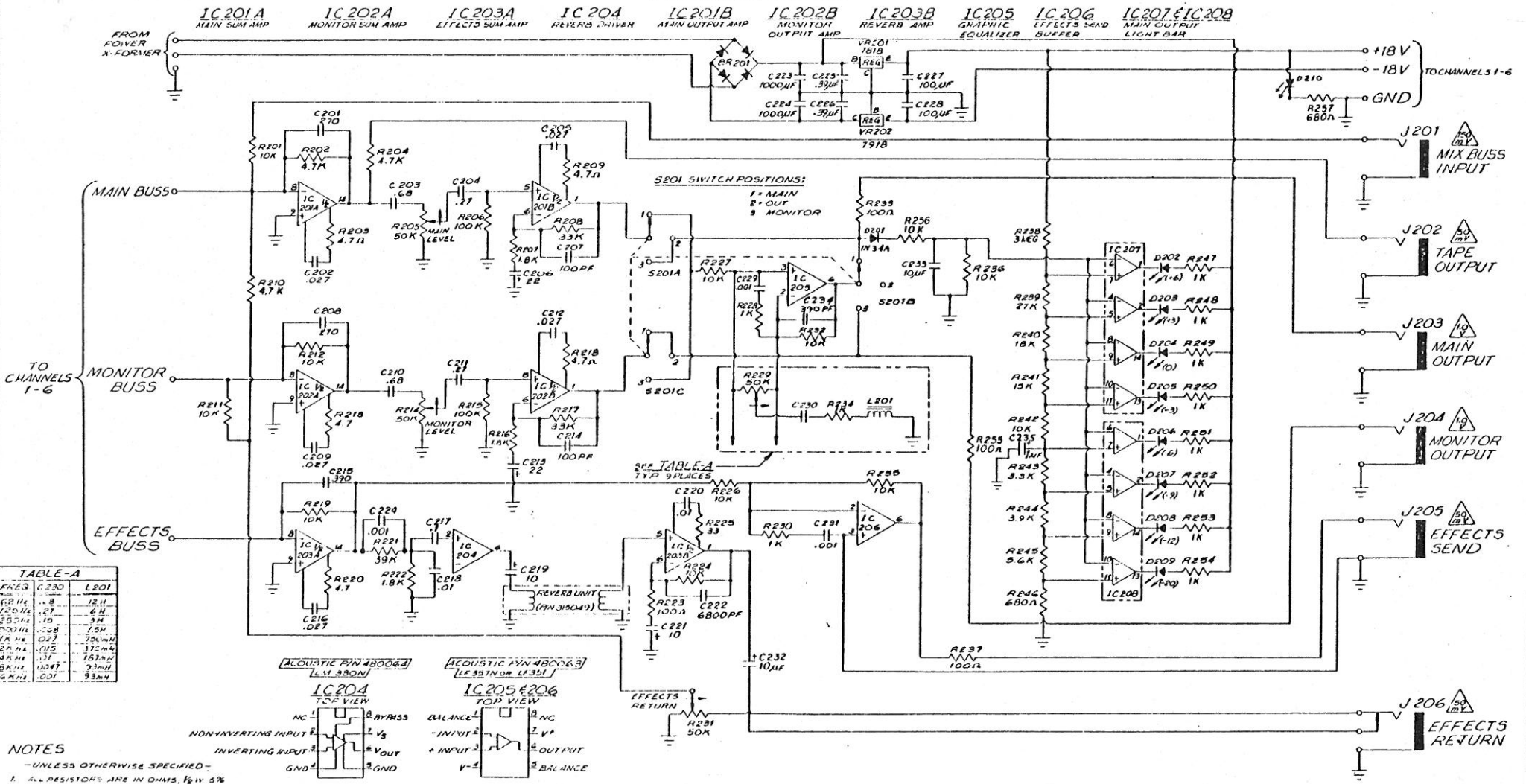
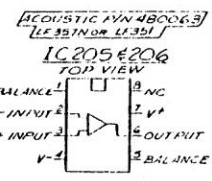
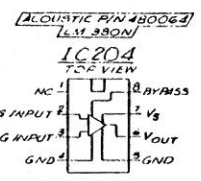


TABLE-A
TYPE 9 PLACES

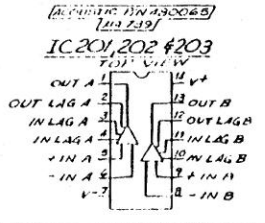
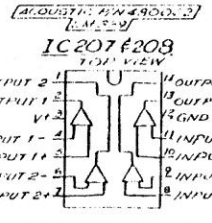
FREQ	C230	L201
60 Hz	.8	12 H
250 Hz	.27	6 H
500 Hz	.15	3 H
1000 Hz	.08	1.5 H
1 kHz	.027	750 mH
2 kHz	.015	375 mH
4 kHz	.007	187 mH
8 kHz	.0035	93 mH
16 kHz	.0017	46 mH

NOTES
- UNLESS OTHERWISE SPECIFIED -
1. ALL RESISTORS ARE IN OHMS, 1/4W 5%
2. ALL CAPACITORS ARE IN MFD.
3. Δ AC VOLTS FROM GND USING AC VOLTAGE 10% SIGNAL AC VOLTS 110%



REF DESIGNATION

LAST	NOT USED
BR201	
C235	
D210	
IC 208	
LS01	
R257	
S201	
V206	
VR202	



B Revised Per ECN 1760		C L R	
A Revised Per ECNs 1677, 1695, 1736		S-24-77 145	
D 1648	SCHEMATIC, PWR AMP	UNLESS OTHERWISE SPECIFIED DIMENSIONS ARE IN INCHES DECIMALS ARE IN THOUSITHS	BY DATE
170065	A.C. BOARD PWR AMP	DESIGNED BY	3/3/78
170076	SCHEMATIC, PWR AMP	CHECKED BY	
170087	P.C. BOARD PWR AMP	APPROVED BY	
NUMBER	DATE	PROPRIETARY INFORMATION	TITLE
		ALL INFORMATION CONTAINED HEREIN IS THE PROPERTY OF ACOUSTIC CONTROL CORP. AND IS NOT TO BE REPRODUCED OR TRANSMITTED IN ANY FORM WITHOUT WRITTEN PERMISSION OF ACOUSTIC CONTROL CORP.	SCHEMATIC
RELATED DIMENSIONS		SIZE	DRAWING NO.
		D	1649
		PART NO.	REV B
		DO NOT SCALE THIS PRINT	

acoustic control corp
van nuys, california 91408

